

High Pressure Pump

Table 20-6. High Pressure Pump

Item	Description	Part Number
	High Pressure Pump Assembly <i>220/240 V 50Hz</i>	79835-69004
	Pump Motor <i>220/240 V 50Hz</i>	79835-67911
	Gear <i>50 Hz</i>	79835-43615
	High Pressure Pump Assembly <i>110/120 V 60Hz</i>	79835-69009
	Pump Motor <i>110/120 V 60Hz</i>	79835-67912
	Gear <i>60 Hz</i>	79835-43616
	Hex set screw for 50 and 60Hz Gear	0517-0761
	Belt Gear Driver (on motor shaft)	79835-43613
	Belt <i>1/2"</i>	1500-0668
	Belt Lubricant	79841-65501
1	PSS Board	79835-66517
	Screws M3 - 6lg	0515-0886
2	Cable Clamp	1400-0053
3	Plastic Shield	79835-00611
	Screws M4 - 6lg for shield	0515-0898
4	Cap for Oil Reservoir	79835-24111
	O-Ring for Oil reservoir	0905-0998
	Cap Holding Screw M4 - 40lg	0515-0850
	Gasket for Cap Holding Screw	0905-0720
	Adhesive Label ¹	7120-6153
5	Pump Body	79835-27716
6	Oil Inlet Valve	79835-67103
7	Diaphragm	79835-04123
8	Pump Head	79835-27717
	Screws for Pump Head M6×1	0515-0502
	Grease for Pump Head Screws	79846-65501
	Torque Wrench (for pump head screws)	8710-1158
	5mm Hex Key (for pump head screws)	8710-115
9	Valve Housing	79835-25211
	Valve Cartridge	79835-67101
	Valve Cartridge <i>pH</i>	79835-67102
	Sieve	79835-65213
	Sieve <i>pH</i>	79835-65216

¹ Used to seal cap and gearbox cover when returning defective pump to PCE or SMO

Table 20-6. High Pressure Pump (continued)

Item	Description	Part Number
10	Override Valve	79835-61111
	Override Valve (<i>350 bar</i>)	79835-61112
11	Override Tubing	79835-67312
12	Reservoir Tubing	79835-67311
13	Screw	0515-0554
14	Screw M4 - 35mm lg	0515-0092
15	Screw M4 - 75mm lg	0515-0827
	Washer for 14, 15	3050-0893
16	Screw	0515-0048
	Washer	2190-0586

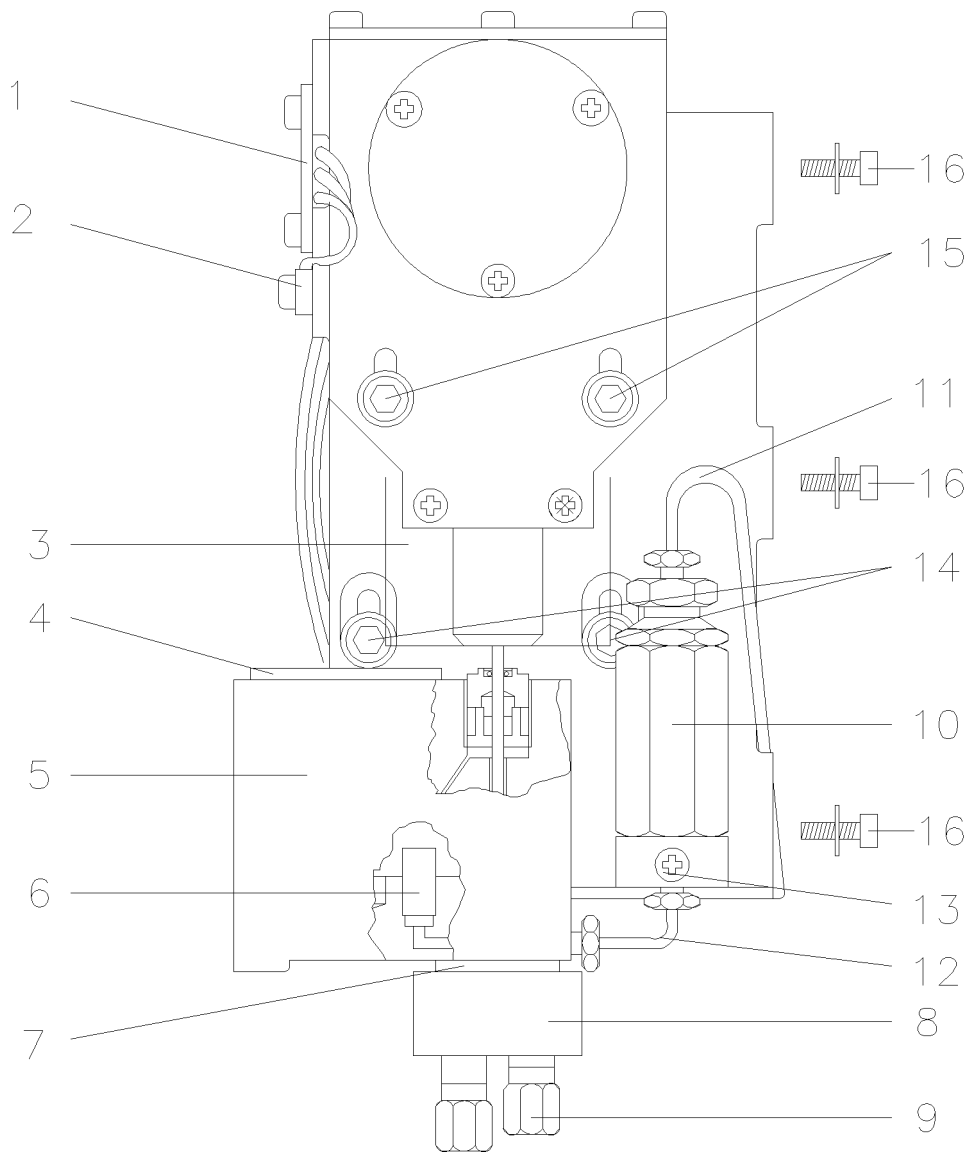


Figure 20-4. High Pressure Pump